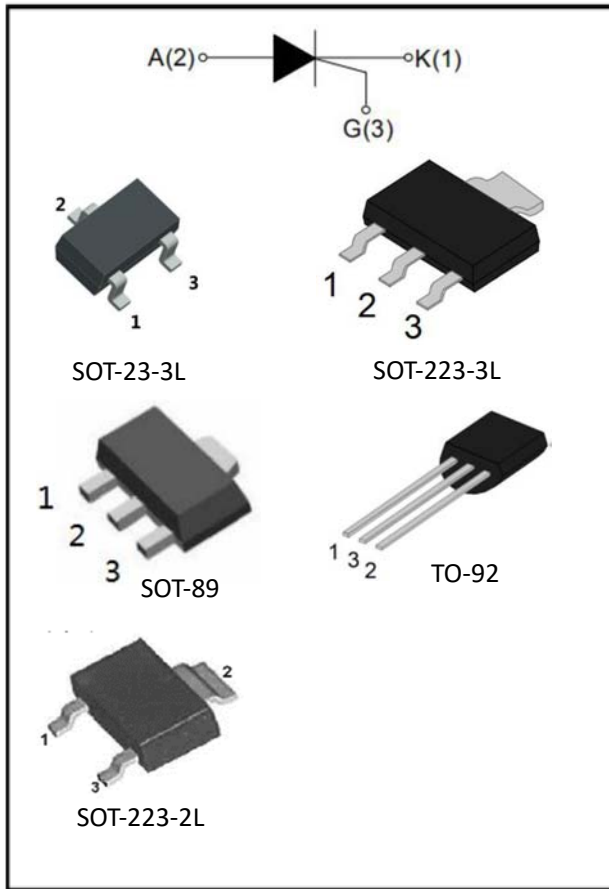


1A Sensitive SCRs



Features

- On-state rms current, $I_{T(RMS)}$ 1 A
- Repetitive peak off-state voltage, V_{DRM}/V_{RRM} 800 V
- Triggering gate current, I_{GT} 200 μ A

Applications

- Ground Fault Circuit Interrupters (GFCI)
- General purpose switching and phase control
- Ignition circuits, CDI
- Motor control - e.g. small kitchen appliances

Mechanical Data

- Case Material: "Green" Molding Compound
- Package:

DEVICE	PACAKGE
YC0810S1	SOT-23-3L
YC0810S2	SOT-223
YC0810S3	SOT-89
YC0810T9	TO-92
YC0810S4	SOT-223-2L

Main Characteristics

SYMBOL	LIMITS	UNIT
$I_{T(RMS)}$	1	A
V_{DRM}/V_{RRM}	800	V
I_{GT}	200	μ A

Maximum Ratings

PARAMETER	SYMBOL	LIMITS	UNIT
Storage junction temperature range	Tstg	-40~150	$^{\circ}$ C
Operating junction temperature range	Tj	-40~125	$^{\circ}$ C
Repetitive surge peak Off-state voltage (Tj=25 $^{\circ}$ C)	V_{DRM}	800	V
Repetitive peak reverse voltage (Tj=25 $^{\circ}$ C)	V_{RRM}	800	V
RMS on-state current (TC=80 $^{\circ}$ C)	$I_{T(RMS)}$	1	A
Non-repetitive surge peak on-state current (half sine wave, tp=10ms, Tj=25 $^{\circ}$ C)	I_{TSM}	8	A
I ² t value for fusing (tp=10ms)	I ² t	0.5	A ² s
Critical rate of rise of on-state current (IG=2 \times I _{GT})	di/dt	50	A/ μ s
Peak gate current	I _{GM}	0.2	A
Average gate power dissipation	P _{G(AV)}	0.1	W
Peak gate power	P _{GM}	0.5	W



YC0810 Series

■Electrical Characteristics (T_a=25°C Unless otherwise specified)

PARAMETER	SYMBOL	UNIT	TEST CONDITIONS	MIN	TYP	MAX
Gate trigger current	I _{GT}	μA	V _D =12V, R _L =33Ω		20	200
Gate trigger voltage	V _{GT}	V	V _D =12V, R _L =33Ω		0.5	1.0
Non-triggering gate voltage	V _{GD}	V	V _D =V _{DRM} T _j =110°C R _L =3.3kΩ	0.2		
Holding current	I _H	mA	I _T =50mA			2
Latching current	I _L	mA	I _G =1.2 I _{GT}			3
Rate of rise of off-state voltage	dV/dt	V/μs	V _D =0.66×V _{DRM} T _j =110°C Gate open R _{GK} =1KΩ	20		

■Thermal Characteristics (T_a=25°C Unless otherwise specified)

PARAMETER	SYMBOL	UNIT	TEST CONDITIONS	MAX
Peak on-state voltage	V _{TM}	V	I _{TM} =1.4A t _p =380μS	1.5
Peak off-state current	I _{DRM}	μA	V _{DRM} = V _R RM, T _j =25°C, R _{GK} =1KΩ	5
Peak reverse current	I _R RM	mA	V _{DRM} = V _R RM, T _j =125°C, R _{GK} =1KΩ	0.5

■Thermal Resistance (T_a=25°C Unless otherwise specified)

PARAMETER	SYMBOL	UNIT	Pacakge	Value	
Thermal Resistance (Typical)	Junction to case	R _{θJ-c}	°C/W	TO-92/SOT-23	50
			°C/W	SOT-89	28
			°C/W	SOT-223	18



■ Characteristics (Typical)

FIG.1: Maximum power dissipation versus RMS on-state current

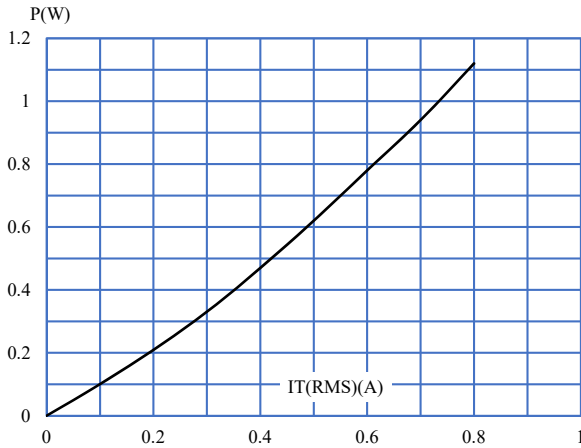


FIG.2: RMS on-state current versus case temperature

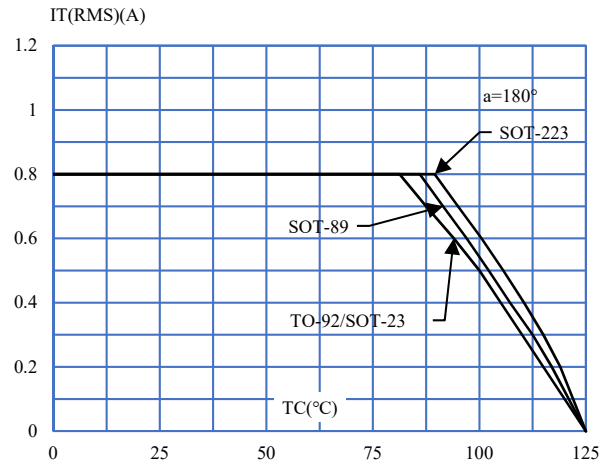


FIG.3: Surge peak on-state current versus number of cycles

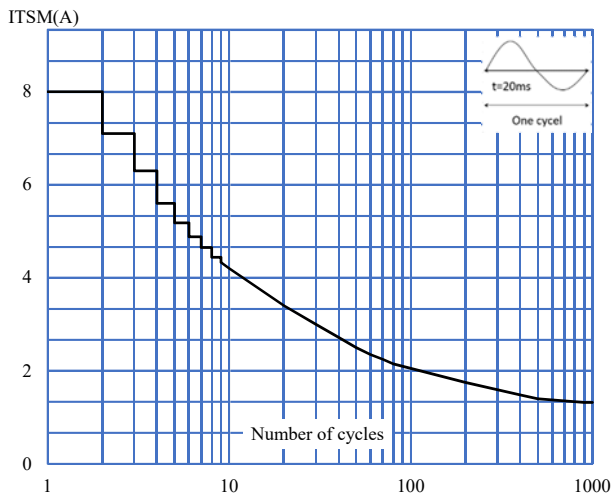


FIG.4: On-state characteristics (maximum values)

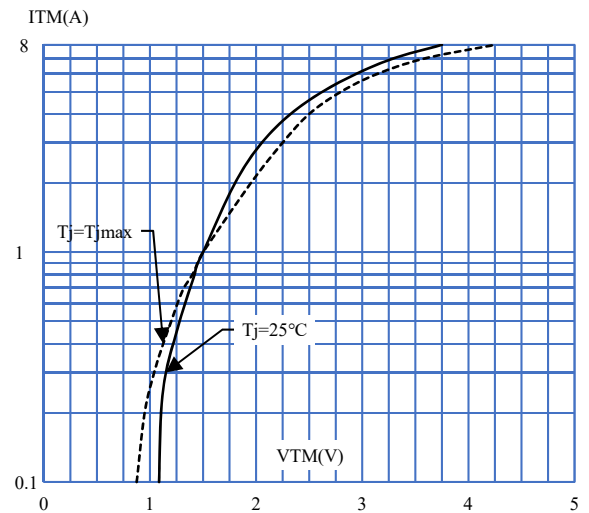


FIG.5: Non-repetitive surge peak on-state current for a sinusoidal pulse with width $t_p < 20\text{ms}$, and corresponding value of $I_2 t$ ($dI/dt < 50\text{A}/\mu\text{s}$)

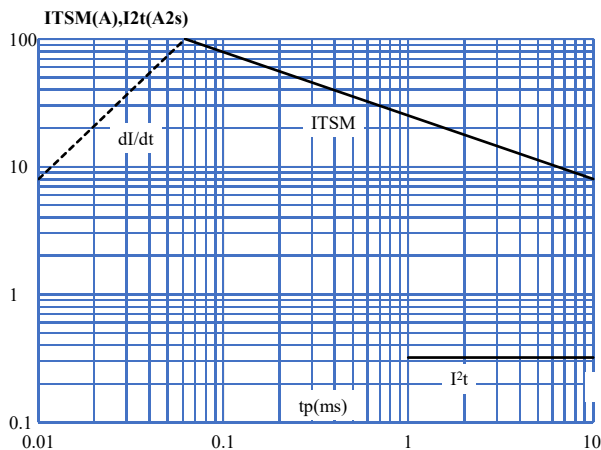
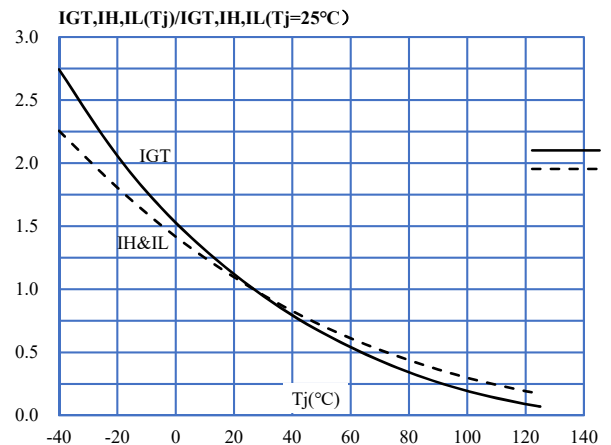


FIG.6: Relative variations of gate trigger current, holding current and latching

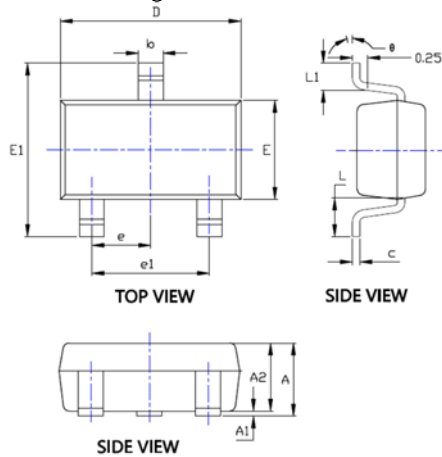




YC0810 Series

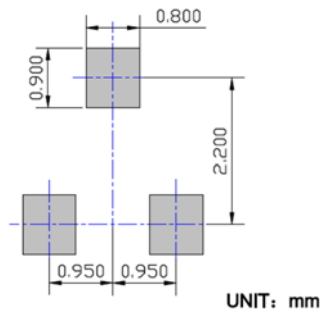
■ Outline Dimensions

➤ SOT-23-3L Package Outline Dimensions

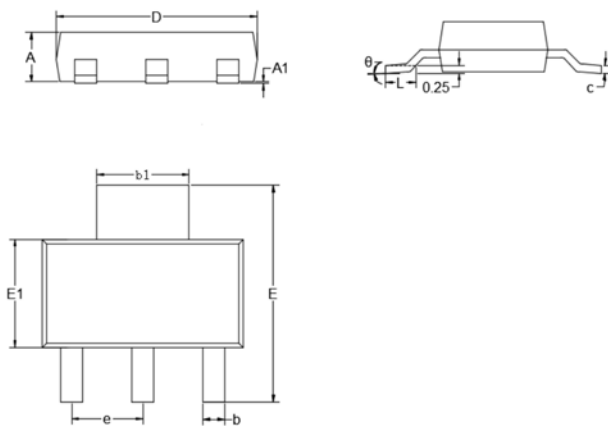


SYMBOL	DIMENSIONS			
	INCHES		Millimeter	
	MIN.	MAX.	MIN.	MAX.
A	0.041	0.049	1.050	1.250
A1	0.000	0.008	0.000	0.200
A2	0.041	0.045	1.050	1.150
b	0.012	0.020	0.300	0.500
c	0.004	0.008	0.100	0.200
D	0.111	0.119	2.820	3.020
E	0.059	0.067	1.500	1.700
E1	0.104	0.116	2.650	2.950
e	0.037TYP		0.950TYP	
e1	0.071	0.079	1.800	2.000
L	0.024REF		0.600REF	
L1	0.012	0.024	0.300	0.600
∅	0°	8°	0°	8°

SOT-23-3L Suggested Pad Layout

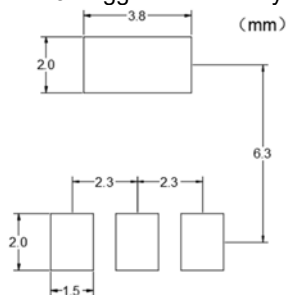


➤ SOT-223 Package Outline Dimensions



DIM	DIMENSIONS			
	INCHES		MM	
	MIN	MAX	MIN	MAX
A	0.0591	0.0670	1.5000	1.7000
A1	0.0008	0.0039	0.0200	0.1000
b	0.0259	0.0330	0.6600	0.8400
b1	0.1140	0.1220	2.9000	3.1000
c	0.0090	0.0138	0.2300	0.3500
D	0.2480	0.2640	6.3000	6.7000
E	0.2637	0.2874	6.7000	7.3000
E1	0.1290	0.1460	3.3000	3.7000
e	0.0866	0.0945	2.2000	2.4000
L	0.0295	0.0492	0.7500	1.2500
θ	0°	10°	0°	10°

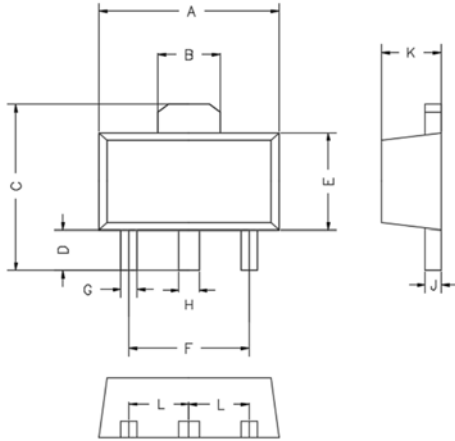
SOT-223 Suggested Pad Layout





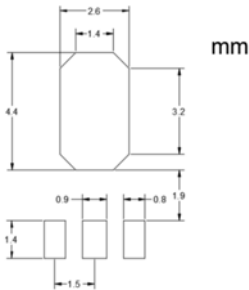
YC0810 Series

SOT-89 Package Outline Dimensions

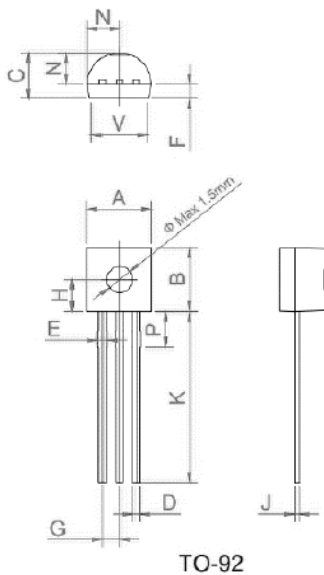


DIM	DIMENSIONS				NOTE
	INCHES		MM		
	MIN	MAX	MIN	MAX	
A	0.169	0.185	4.30	4.70	
B	0.061		1.55		TYP
C	0.154	0.171	3.91	4.35	
D	0.031	0.047	0.80	1.20	
E	0.089	0.104	2.25	2.65	
F	0.118		3.00		TYP
G	0.013	0.020	0.33	0.52	
H	0.016	0.023	0.40	0.58	
J	0.014	0.017	0.35	0.44	
K	0.055	0.063	1.40	1.60	
L	0.059		1.50		TYP

SOT-89 Suggested Pad Layout



TO-92 Package Outline Dimensions

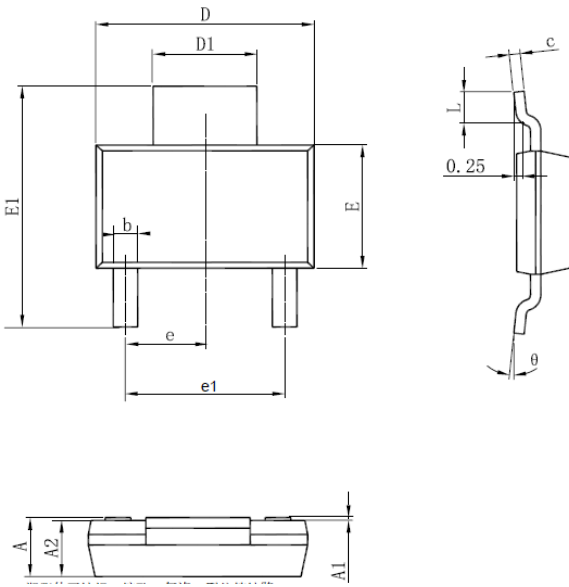


Ref.	Dimensions					
	Millimeters			Inches		
	Min.	Typ.	Max.	Min.	Typ.	Max.
A	4.45	4.6	5.2	0.175	0.181	0.205
B	4.32	4.6	5.33	0.17	0.181	0.21
C	3.18	3.55	4.19	0.125	0.14	0.165
D	0.407		0.533	0.016		0.021
E	0.5		0.7	0.020		0.028
F	-	1.1	-	-	0.043	-
G	-	1.27	-	-	0.05	-
H	-	2.3	-	-	0.091	-
J	0.36	0.38	0.5	0.014	0.015	0.02
K	12.7		15	0.5		0.591
N	2.04	2.3	2.66	0.08	0.091	0.105
P	1.86		2.06	0.073		0.081
V			4.3			0.169



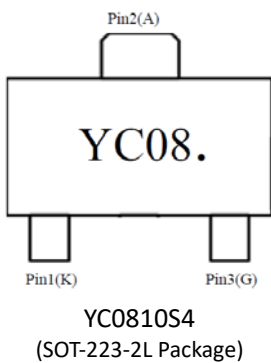
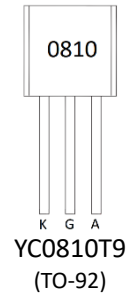
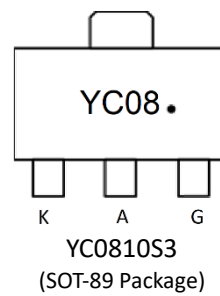
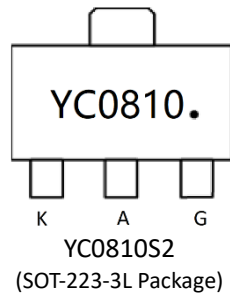
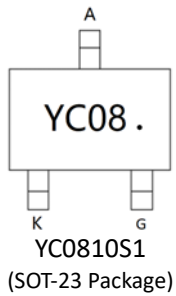
YC0810 Series

➤ SOT-223-2L Package Outline Dimensions



Ref.	Dimensions					
	Inches			Millimeters		
	Min.	Typ.	Max.	Min.	Typ.	Max.
A			0.0709	/	/	1.80
A1	0.00079		0.0039	0.02	/	0.10
A2	0.0591	0.063	0.0667	1.50	1.60	1.70
b	0.026	0.028	0.0331	0.66	0.71	0.84
c	0.0091	0.0118	0.0138	0.23	0.30	0.35
D	0.248	0.256	0.264	6.30	6.50	6.70
D1	0.114	0.118	0.122	2.90	3.00	3.10
E	0.13	0.138	0.146	3.30	3.50	3.70
E1	0.264	0.276	0.287	6.70	7.00	7.30
e	0.0906 BASIC			2.30 BASIC		
e1	0.181 BASIC			4.60 BASIC		
L	0.0295	/	/	0.75	/	/
θ	0°	/	10°	0°	/	10°

■ Marking Information





YC0810 Series

Disclaimer

The information presented in this document is for reference only. Yangzhou Yangjie Electronic Technology Co., Ltd. reserves the right to make changes without notice for the specification of the products displayed herein to improve reliability, function or design or otherwise.

The product listed herein is designed to be used with ordinary electronic equipment or devices, and not designed to be used with equipment or devices which require high level of reliability and the malfunction of which would directly endanger human life (such as medical instruments, transportation equipment, aerospace machinery, nuclear-reactor controllers, fuel controllers and other safety devices), Yangjie or anyone on its behalf, assumes no responsibility or liability for any damages resulting from such improper use of sale.

This publication supersedes & replaces all information previously supplied. For additional information, please visit our website [http:// www.21yangjie.com](http://www.21yangjie.com) , or consult your nearest Yangjie's sales office for further assistance.